

# Superior SSC Series Salt Chlorinator

REQUESTS MINIMUM MAINTENANCE

For residential and semi-commercial pools



 **Emaux**  
water technology



RoHS  
COMPLIANT  
2002/95/EC



SAA

Pool & Spa Equipment

**SIGNATURE COLLECTION**

# Product Features

## Automatic Disinfection System

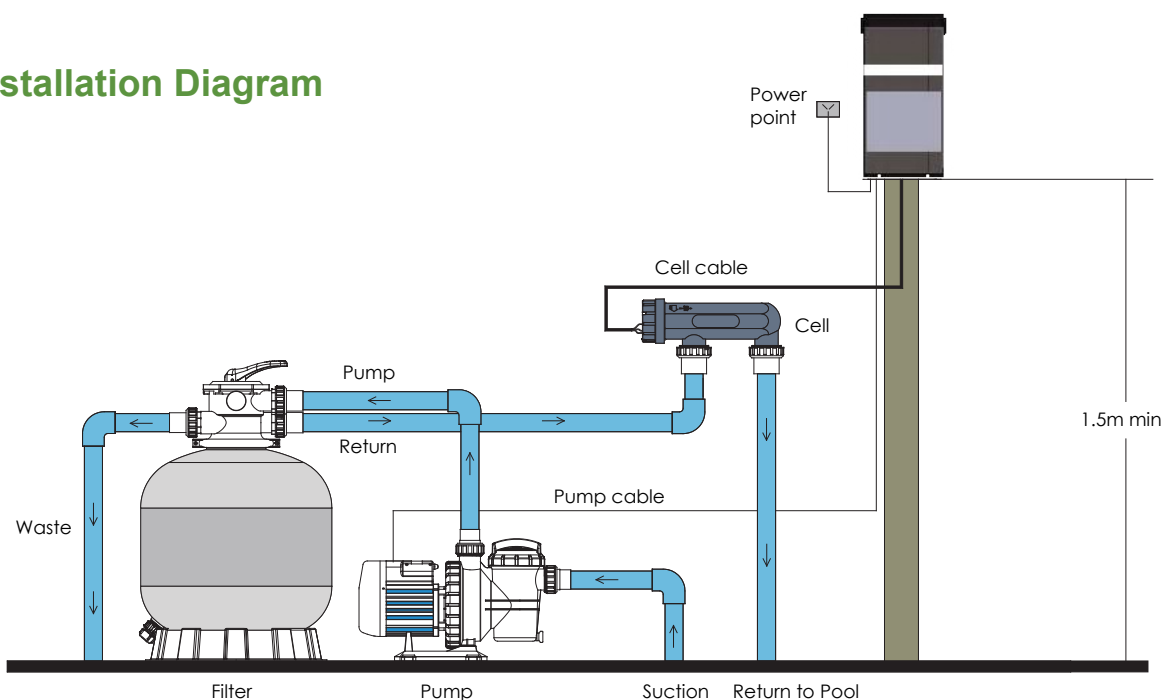
The Superior SSC represents a significant product upgrade that consolidates many years of design and user experience with salt chlorination. The power supply controller arrives in a fresh and modern design offering a more user-friendly interface together with advanced system protection programmes to deal with a wide variety of operating environments. The Superior SSC is an ultimate robust and reliable salt chlorinator for residential pools and semi-commercial pools.



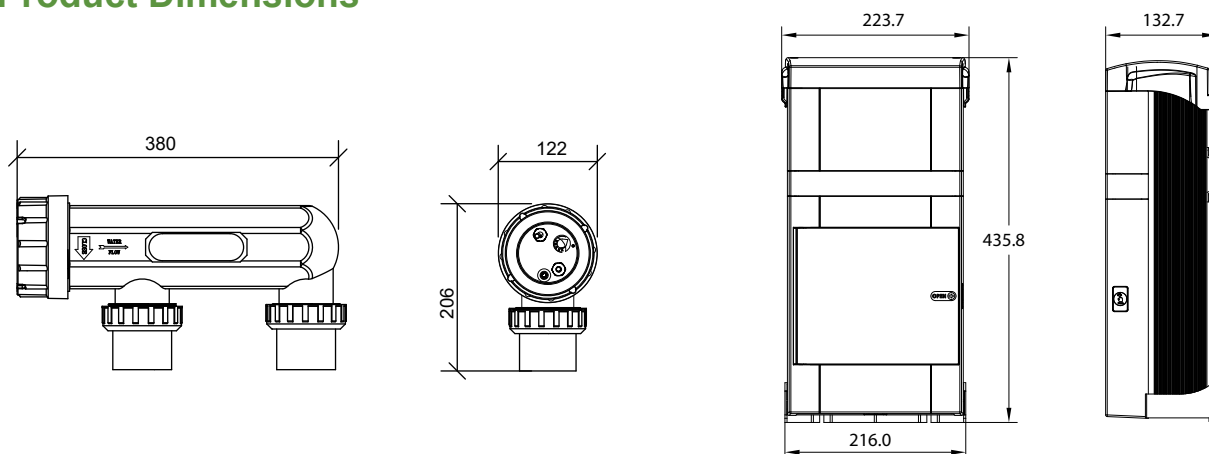
RoHS  
COMPLIANT  
2002/95/EC

SAA

## Installation Diagram



## Product Dimensions



## Technical Information

Code 220V/50Hz	Model	Description	Salt Level (ppm)	Cell Output (gram/h)	Fiberglass Pool(L)	Concrete Pool(L)	Pool Light Voltage	Input Voltage /Freq	IP Rating
9130016	SUC15-E	Standard Version	3000-4000	15	50,000	45,000	N/A	240V 50/60Hz	IPX4
9130014	SUC25-E		3000-4000	25	75,000	70,000			
9130019	SUC50-E		4000-5000	45	120,000	110,000			
9130017	SUC15-T	With Time Clock	3000-4000	15	50,000	45,000	N/A	240V 50/60Hz	IPX4
9130015	SUC25-T		3000-4000	25	75,000	70,000			
9130020	SUC50-T		4000-5000	45	120,000	110,000			
9130018	SUC15-TLT	With Time Clock & Pool Light Transformer	3000-4000	15	50,000	45,000	12V AC	240V 50/60Hz	IPX4
9130013	SUC25-TLT		3000-4000	25	75,000	70,000			

## Features

1. Three models for different pool sizes: 15, 25, 45g/hr
2. Improved user interface and system status indication
3. Adopts higher operation temperature with upgraded electronic components
4. Programmed for high-temperature protection to prevent system overheating due to high salt level or high ambient temperature
5. Monitors and controls cell output current to prevent overloading and temperature rise
6. Simple display of error messages for easy service:
  - Controller overheating
  - The thermal sensor cable is disconnected
  - AC line fault or fuse is broken.
7. Self-cleaning reverse polarity
8. Quality titanium cells
9. Models with time clock and/or pool light transformer are available



EMAUX WATER TECHNOLOGY CO., LTD

ADDRESS G/F 41 TIN HAU TEMPLE ROAD,  
NORTH POINT, HONG KONG

 STRIVE FOR CLEAR WATER

**Available from:**

Mactan Pools Inc  
M.L. Quezon National Highway, Maribago  
Lapu-lapu City, Cebu, Philippines

Telephone: (032) 516-1471 | (032) 262-1692  
Website: [www.mactanpools.com.ph](http://www.mactanpools.com.ph)